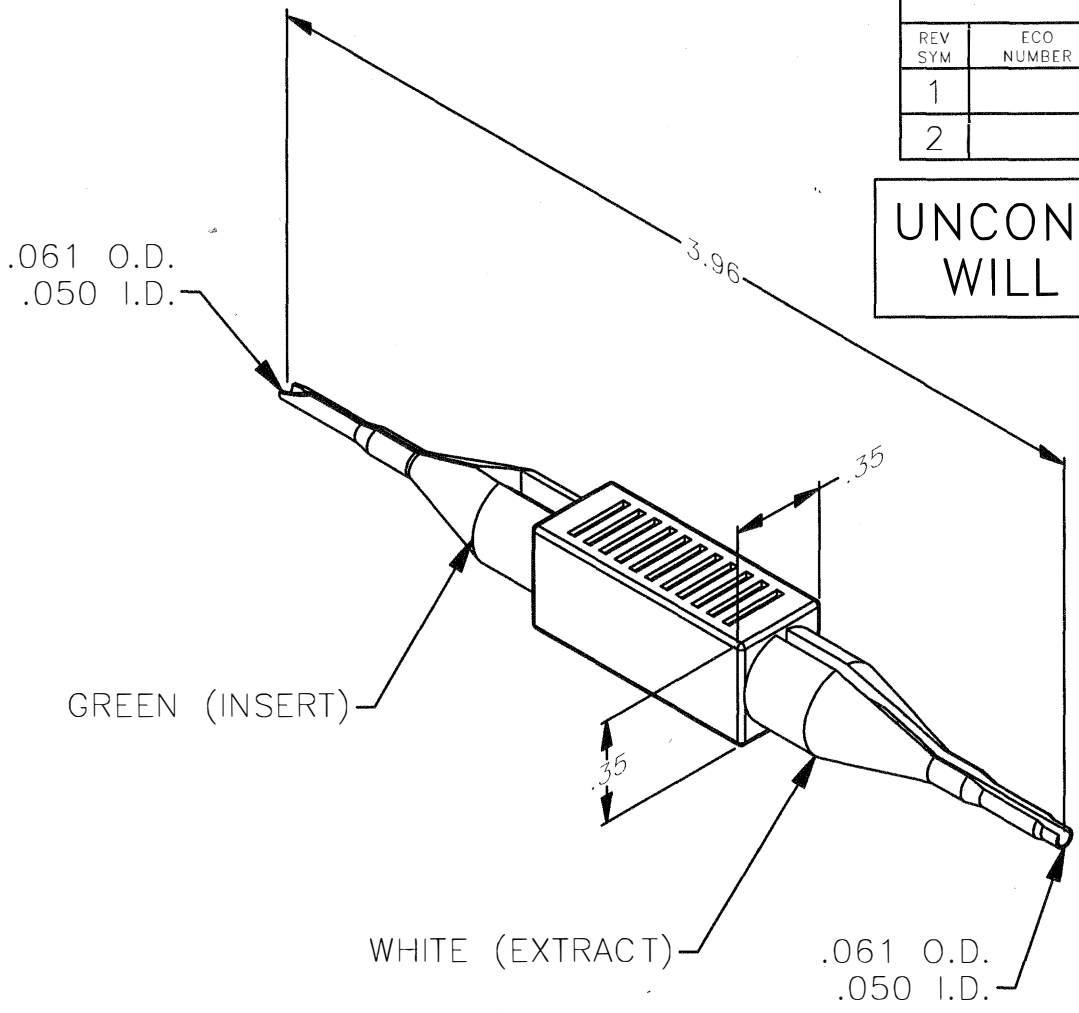


REVISIONS				
REV SYM	ECO NUMBER	DESCRIPTION	BY DATE	APP'D DATE
1		ORIGINAL RELEASE	JMC 8.14.03	JWJ 8.14.03
2		REDRAWN	K. KOONS 9.22.09	

UNCONTROLLED DOCUMENT  
WILL NOT BE UPDATED



NOTES:

<p><b>RESTRICTED &amp; CONFIDENTIAL</b></p> <p>CONFIDENTIAL PROPERTY OF DANIELS MANUFACTURING CORP. NOT TO BE DISCLOSED TO OTHERS, REPRODUCED OR USED FOR ANY OTHER PURPOSE EXCEPT AS AUTHORIZED IN WRITING BY DANIELS MANUFACTURING. MUST BE RETURNED TO DANIELS MANUFACTURING CORP. ON COMPLETION OF ORDER OR OTHER PURPOSES FOR WHICH LENT.</p> <p>CREATED FROM AN INVENTOR MODEL. CHANGES MUST BE REFLECTED IN THE 3D PART</p> <p>DO NOT SCALE DRAWING</p>	MATERIAL	ITEM	PART NO.	QTY.	DESCRIPTION/REMARKS			
	HEAT TREAT	DRN.	JMC	DATE	DANIELS MANUFACTURING CORP. ORLANDO, FLORIDA CAGE 11851			
	FINISH	CHK'D.	JWJ	DATE				
		APP'D.		DATE	TITLE			
					INSTALLING/REMOVAL TOOL ENVELOPE DRAWING WHERE USED: (M81969/16-04)			
		THIS DRAWING IS AN OUTLINE DRAWING OF THE RESPECTIVE DMC PART NUMBER INDICATED. ACTUAL DMC PART NUMBER IS DRAWING NUMBER WITHOUT THE "-ENV" SUFFIX		SIZE	SCALE	CAD P/N	SHEET	OF
				A	NTS	81515-23-ENV	1	1
				POSTING		DWG. NO.		REV.
						81515-23-ENV		2